

**AXOR Universal Softsquare
Soap Dish**

Finishes : Part no. : **42803820**



Features

- Wall-mounted
- Adaptor set #42870XXX must be used when installing on a rail
- Mounting possible with toilet paper roll holder #42836XXX (adaptor #42870XXX necessary)
- Material recess: Ceramic
- With mounting material
- Concealed fastening
- Diameter of drilled hole: 6 mm

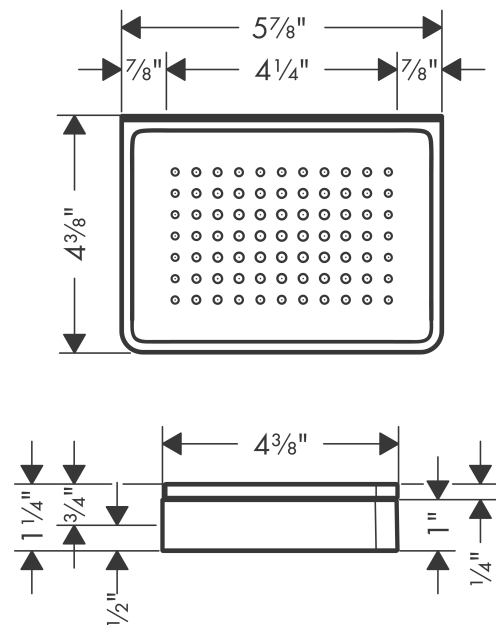
Item details

List Price \$ 385.00

Product image



Scale drawing

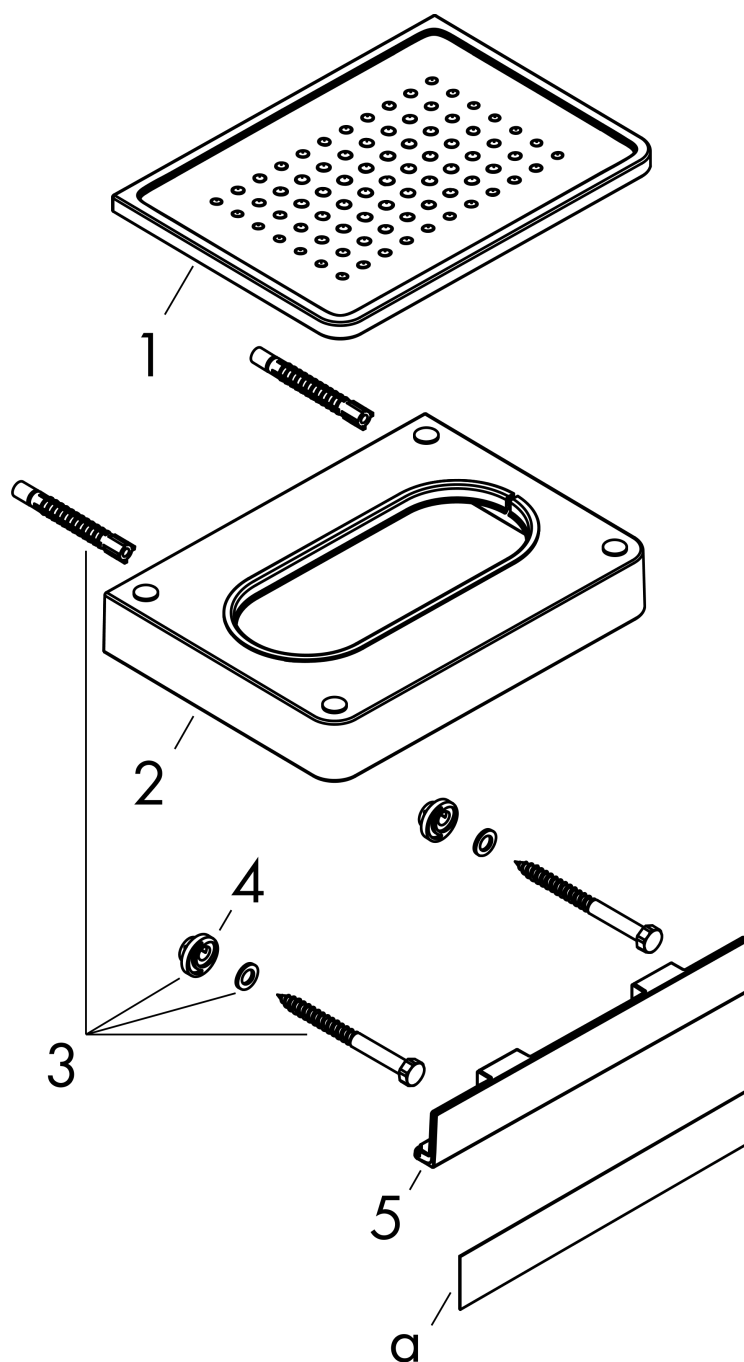


AXOR Universal Softsquare
Soap Dish
Finishes : Part no. : 42803820



Exploded drawing

Year of production: 01/16 - 10/16



AXOR Universal Softsquare

Soap Dish

Finishes : Part no. : **42803820**



Spare parts list

Year of production: **01/16 - 10/16**

Pos.		Part no.	Price	PU
1	soap recess	92429000	-	1
2	support element	92424820	-	1
3	mounting set	92841000	-	1
4	excentric socket	97604000	-	1
5	cover	92427000	-	1
a	cover	42890820	-	1
b	set of adapters	42870820	-	1
c	mounting kit for two-sided glass montage	42841000	-	1